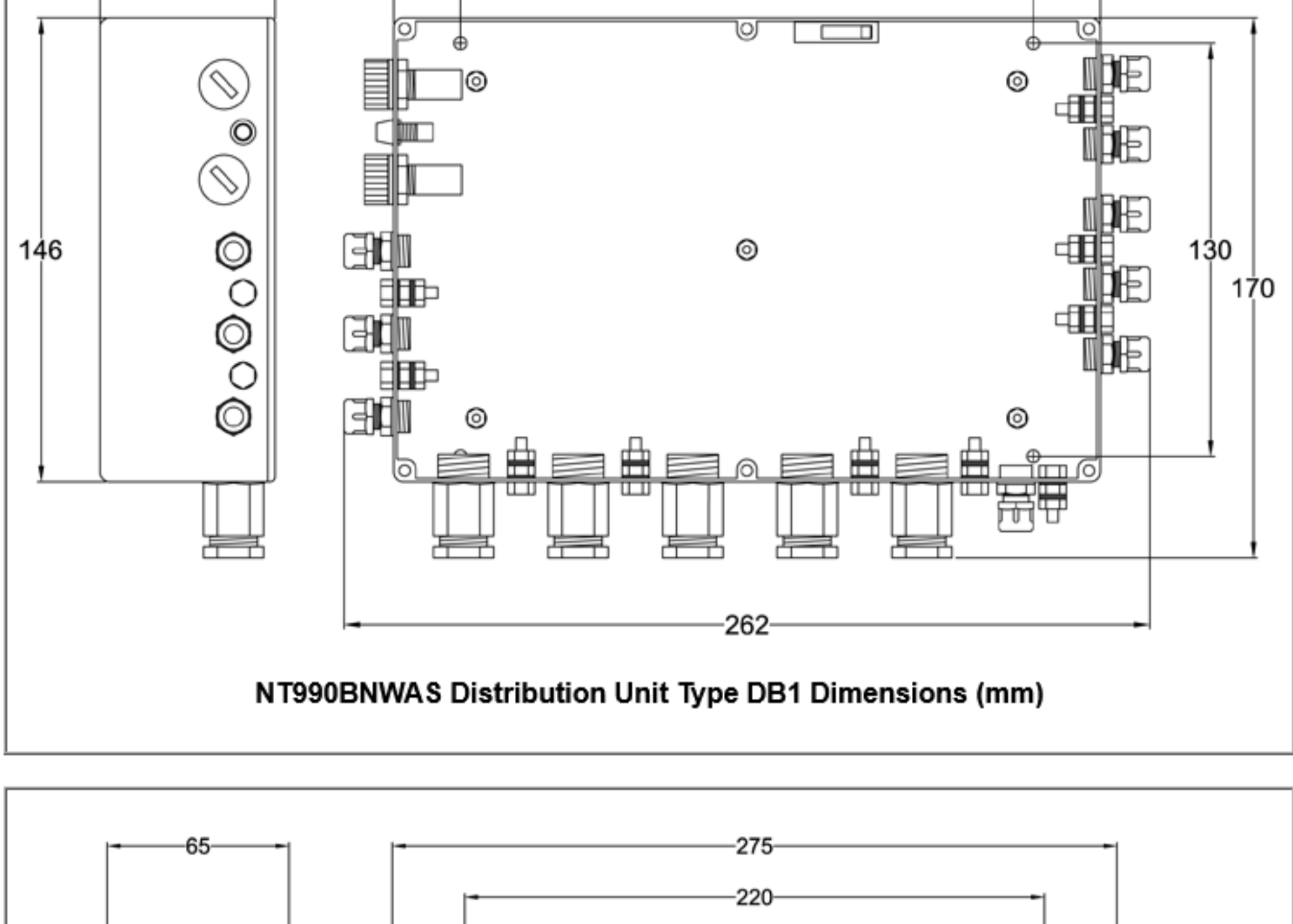
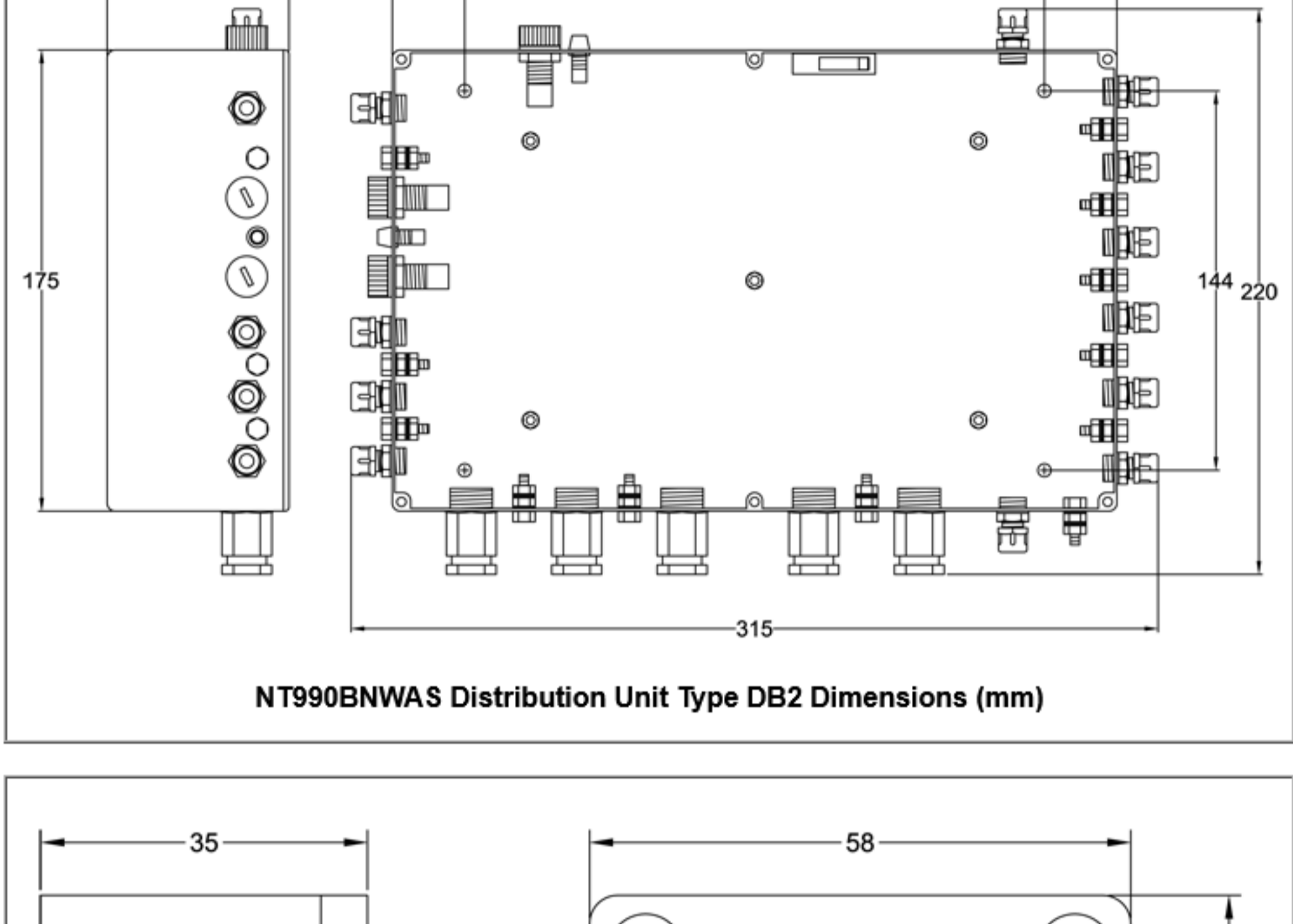


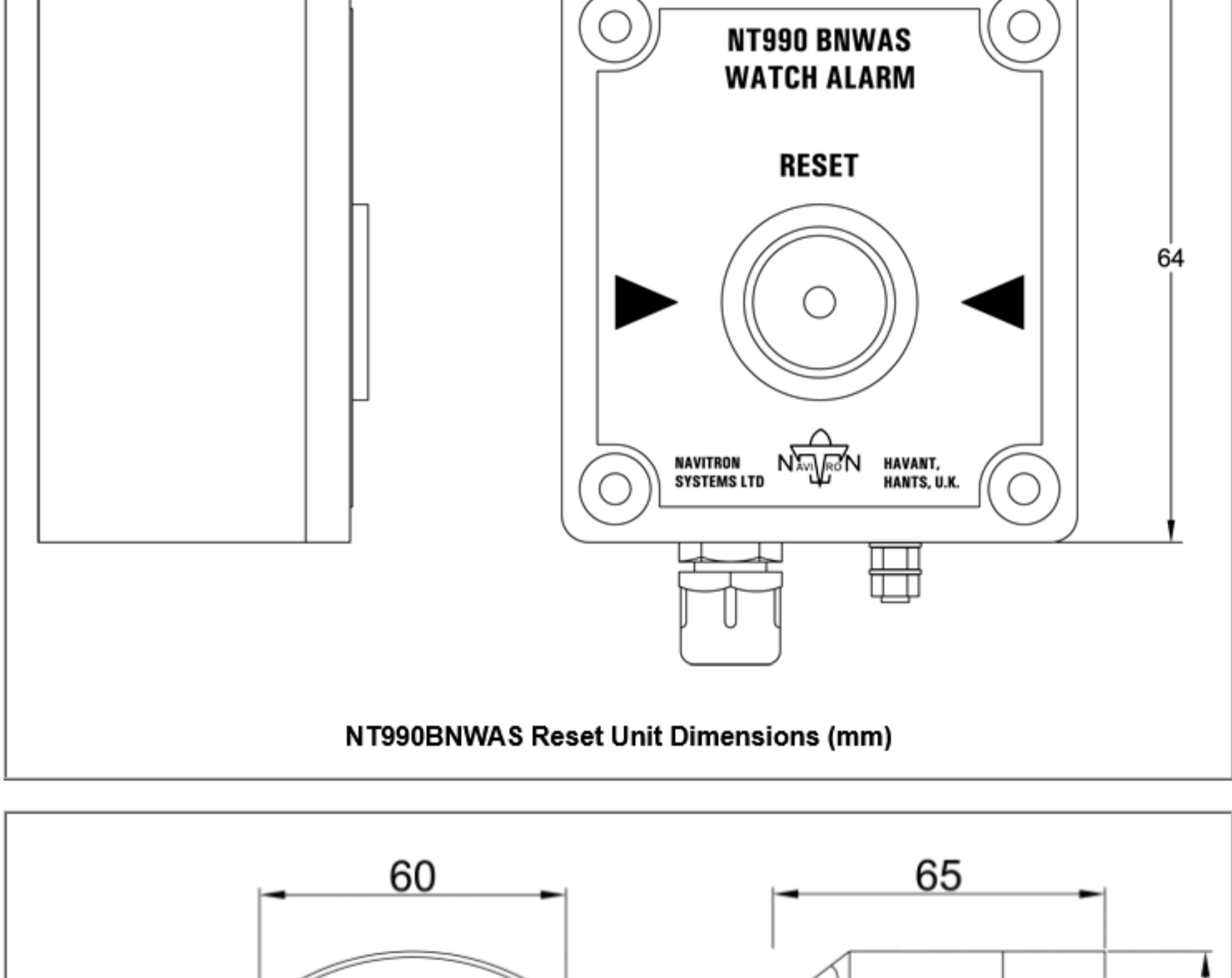
**NT990BNWAS Display Unit Dimensions (mm)**



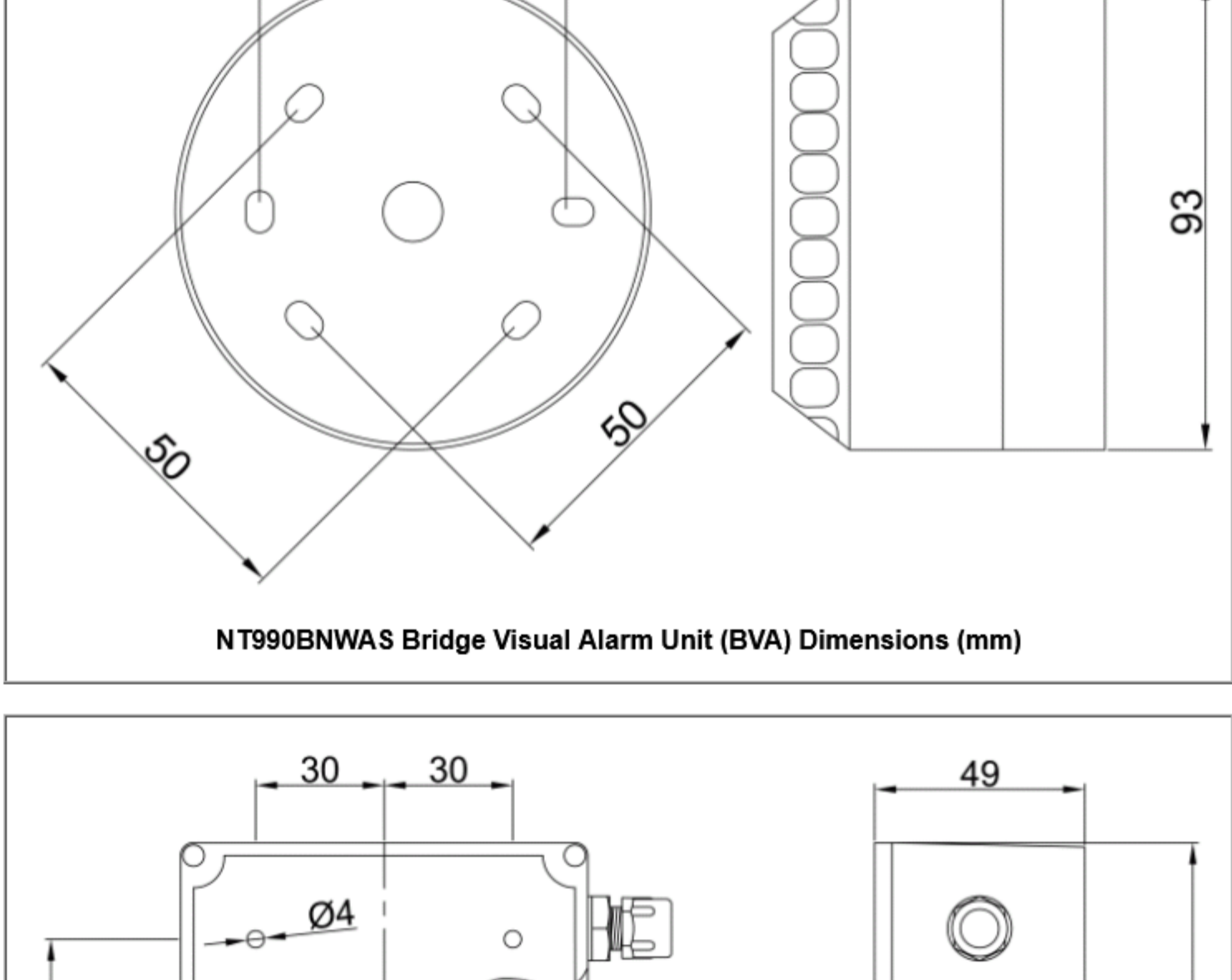
**NT990BNWAS Distribution Unit Type DB1 Dimensions (mm)**



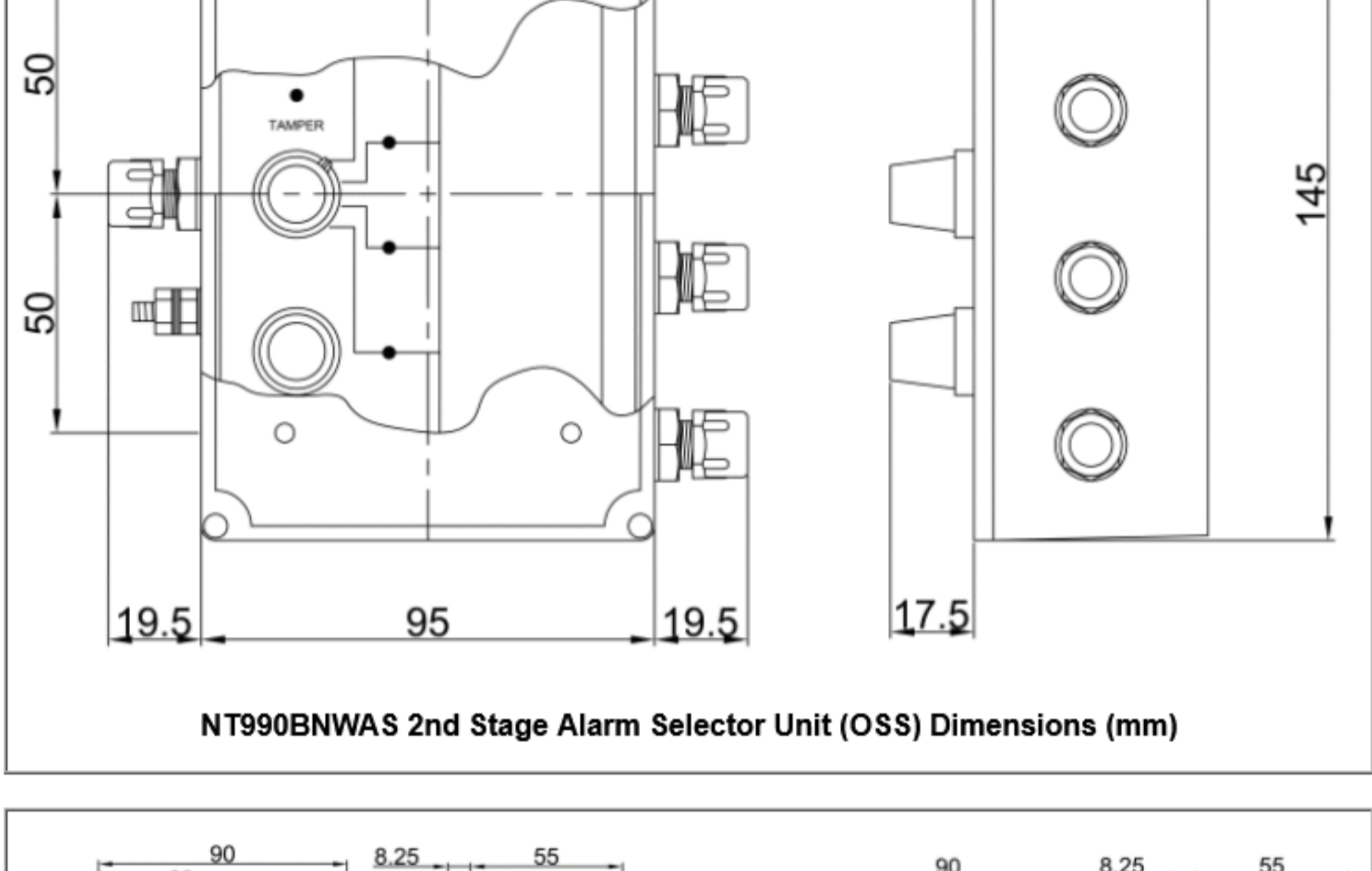
**NT990BNWAS Distribution Unit Type DB2 Dimensions (mm)**



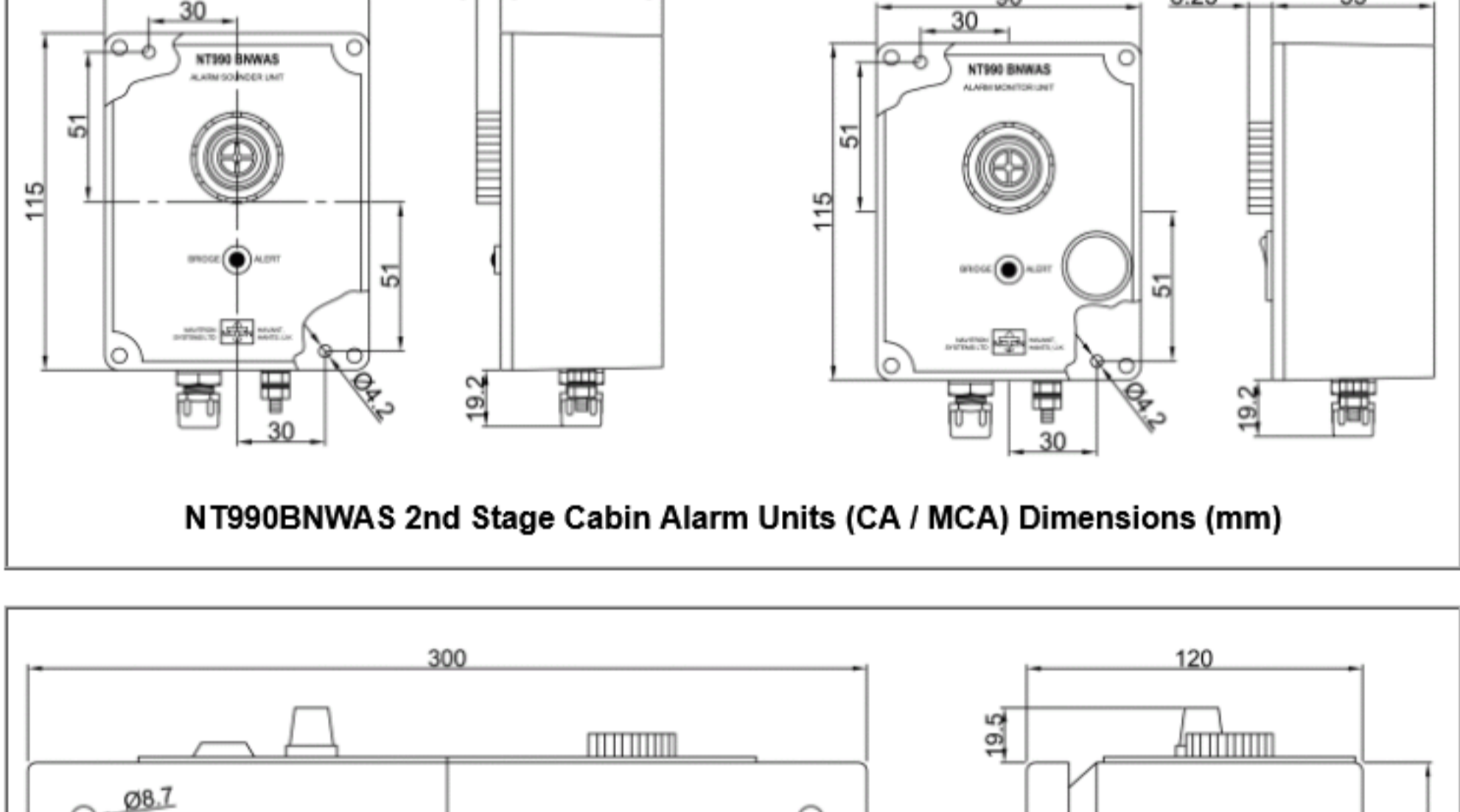
**NT990BNWAS Reset Unit Dimensions (mm)**



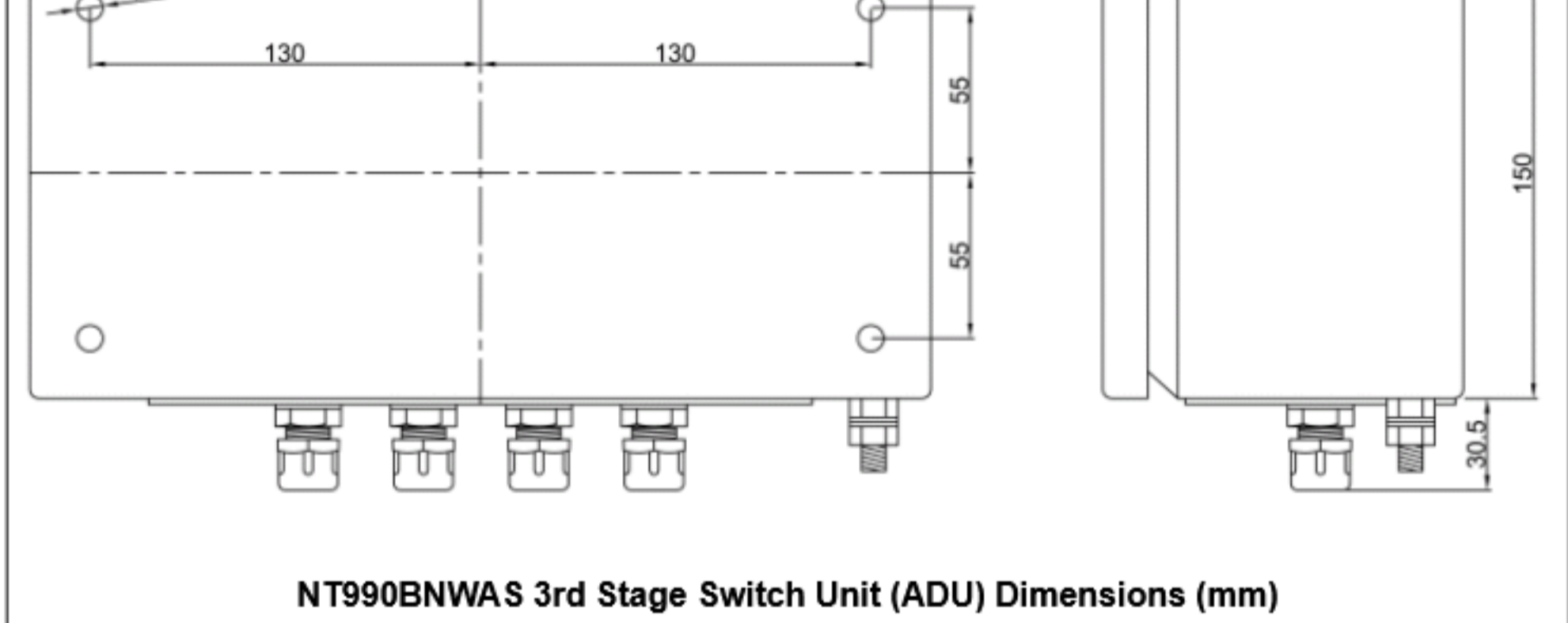
**NT990BNWAS Bridge Visual Alarm Unit (BVA) Dimensions (mm)**



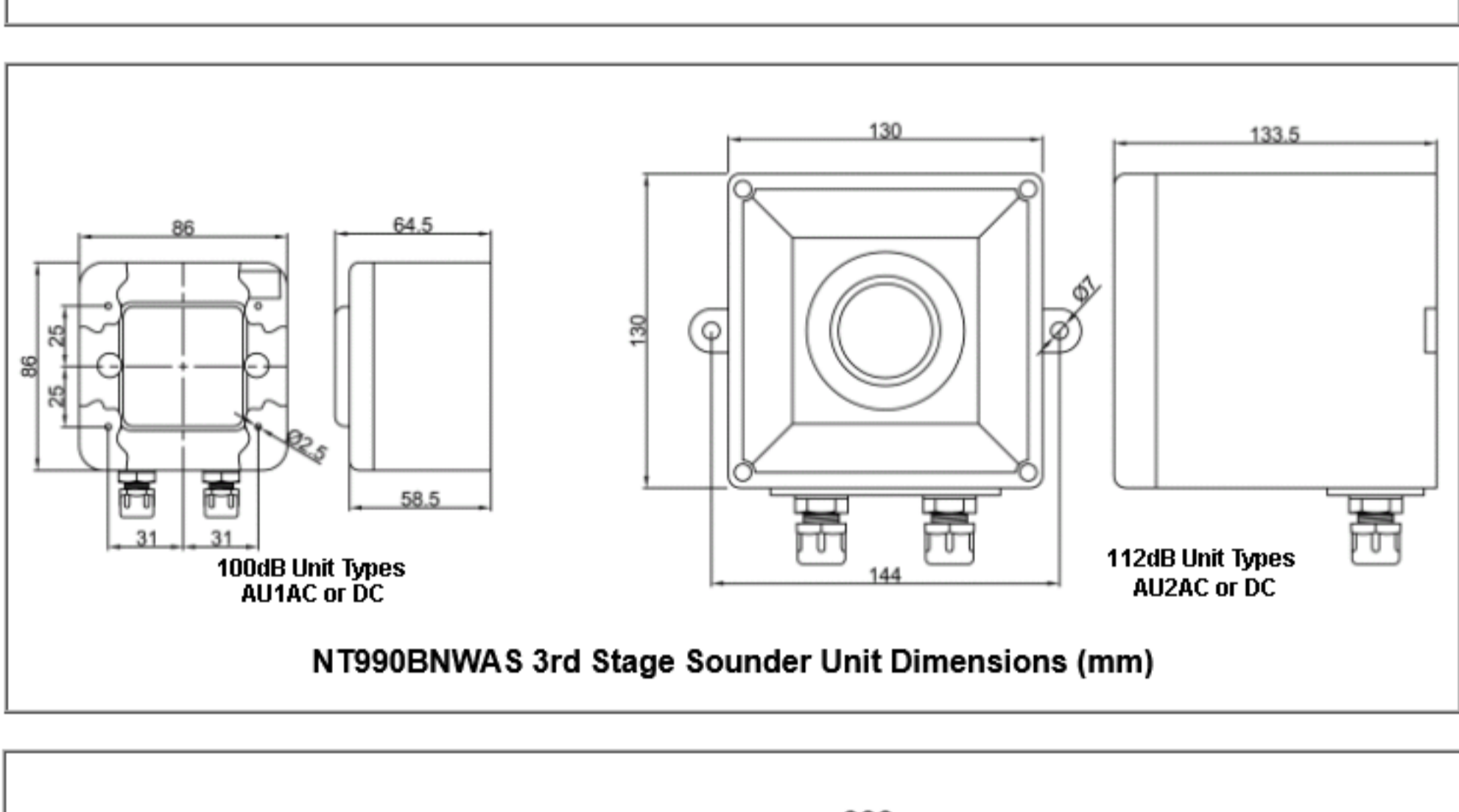
**NT990BNWAS 2nd Stage Alarm Selector Unit (OSS) Dimensions (mm)**



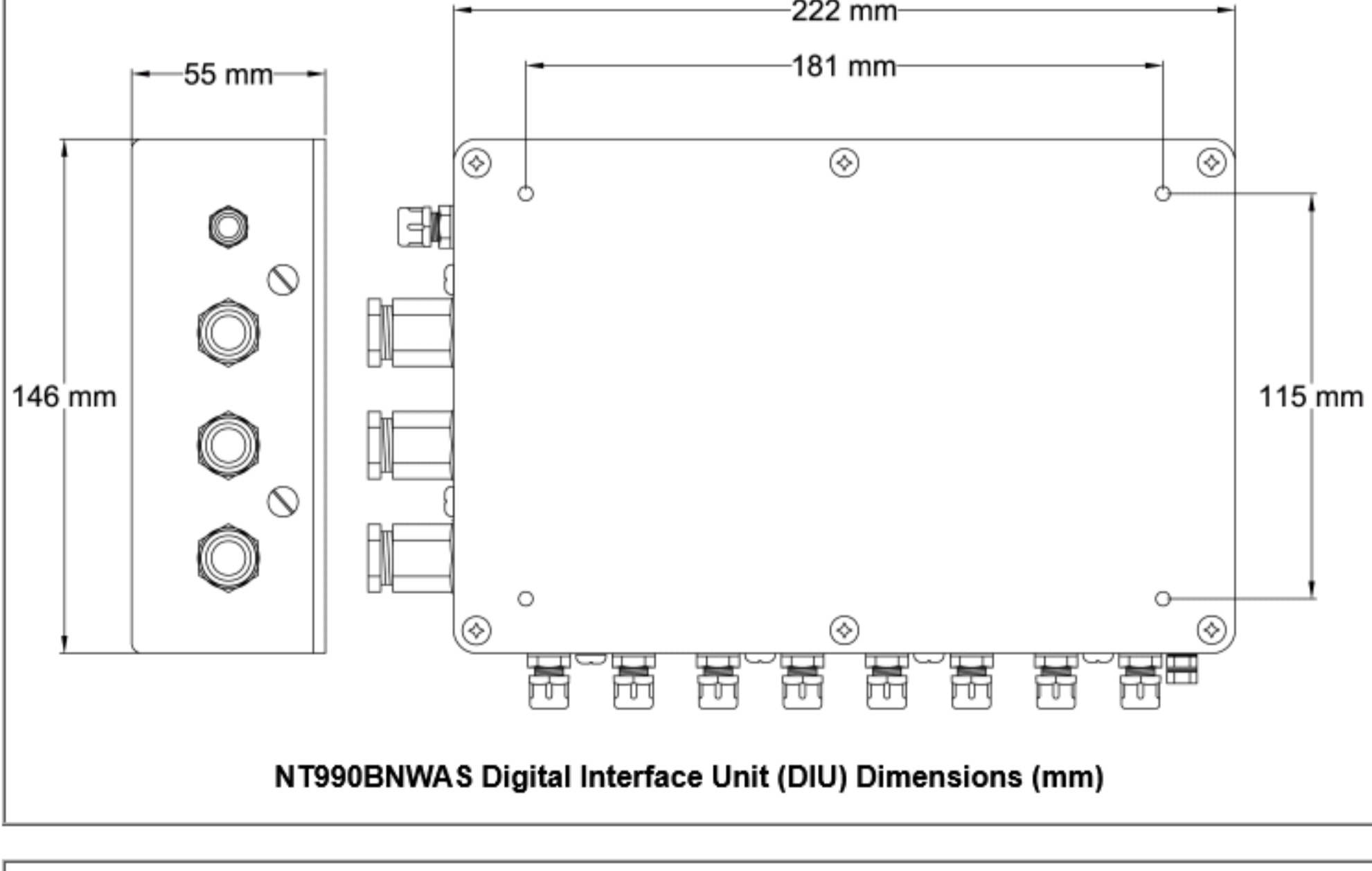
**NT990BNWAS 2nd Stage Cabin Alarm Units (CA / MCA) Dimensions (mm)**



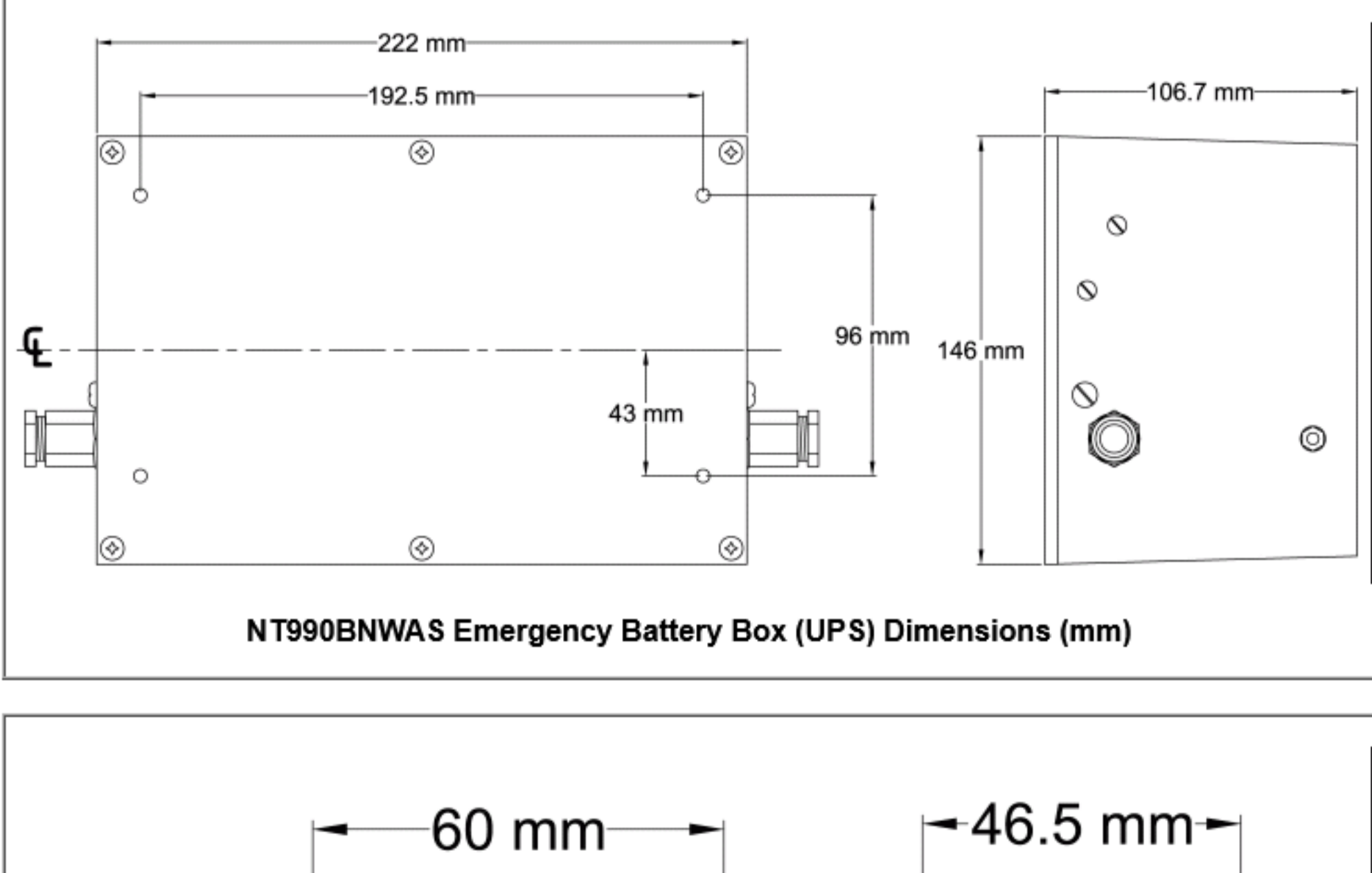
**NT990BNWAS 3rd Stage Switch Unit (ADU) Dimensions (mm)**



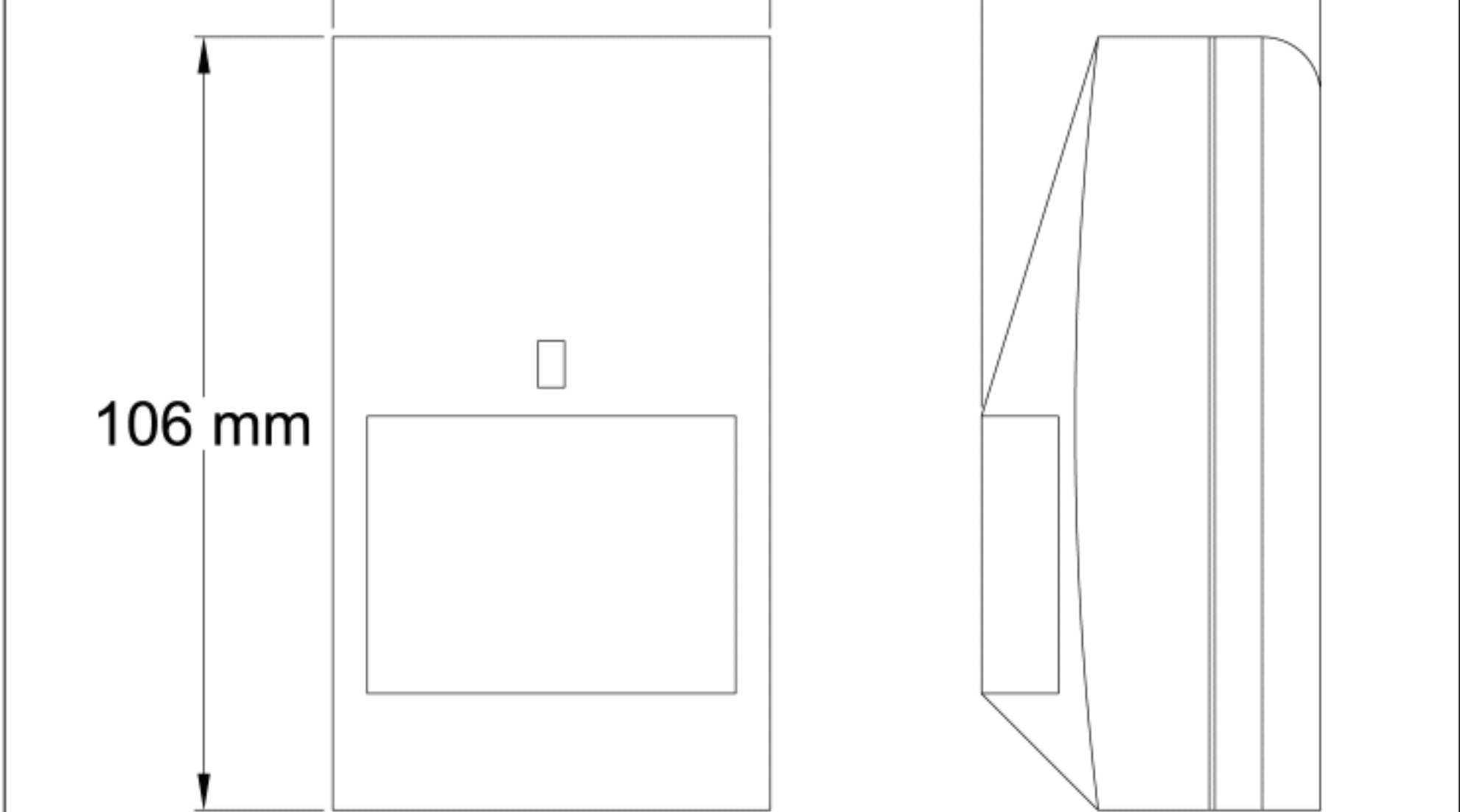
**NT990BNWAS 3rd Stage Sounder Unit Dimensions (mm)**



**NT990BNWAS Digital Interface Unit (DIU) Dimensions (mm)**



**NT990BNWAS Emergency Battery Box (UPS) Dimensions (mm)**



**NT990BNWAS Motion (PIR) Detector Dimensions (mm)**