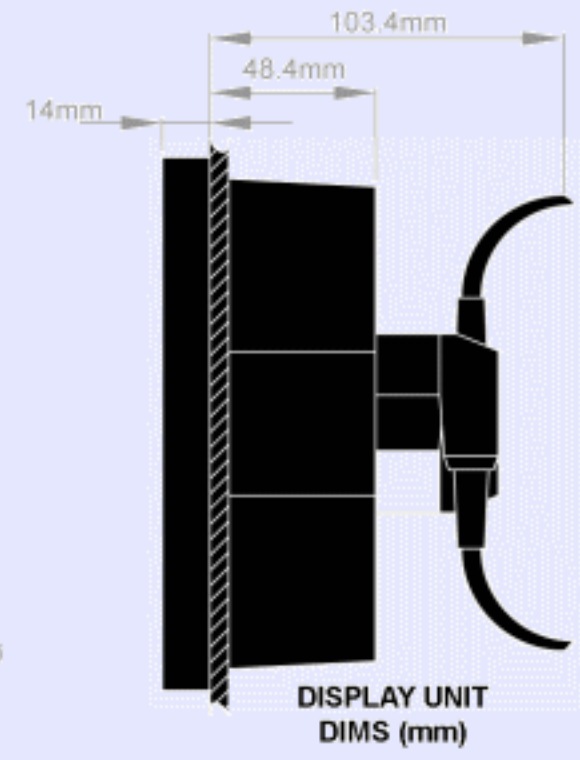
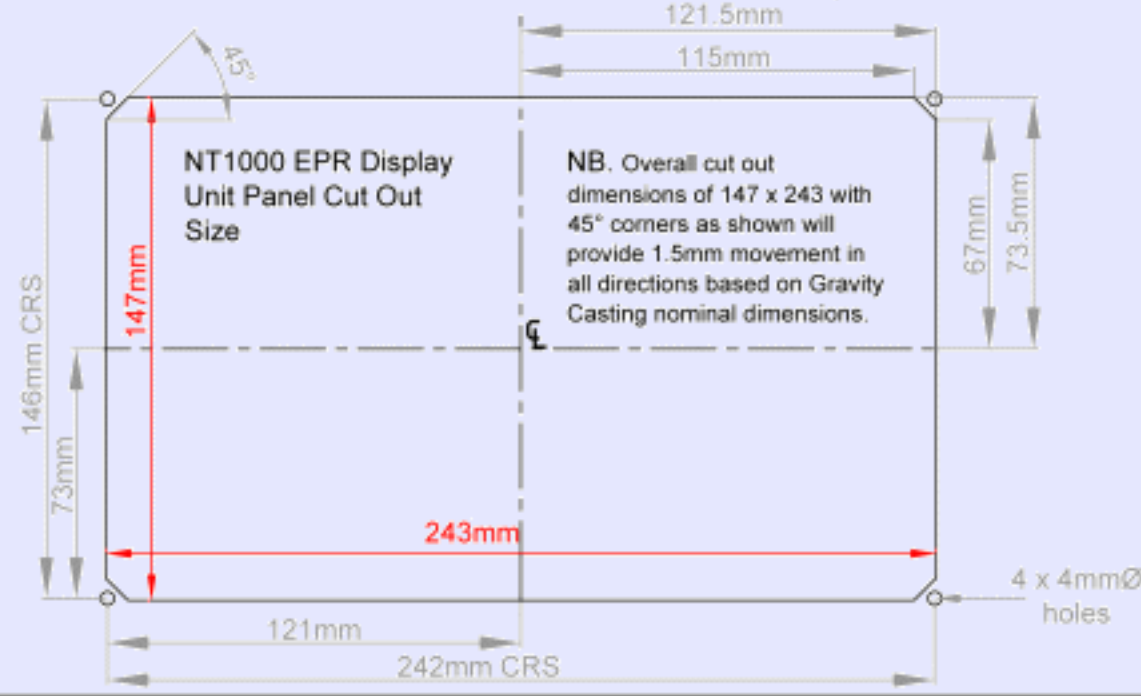
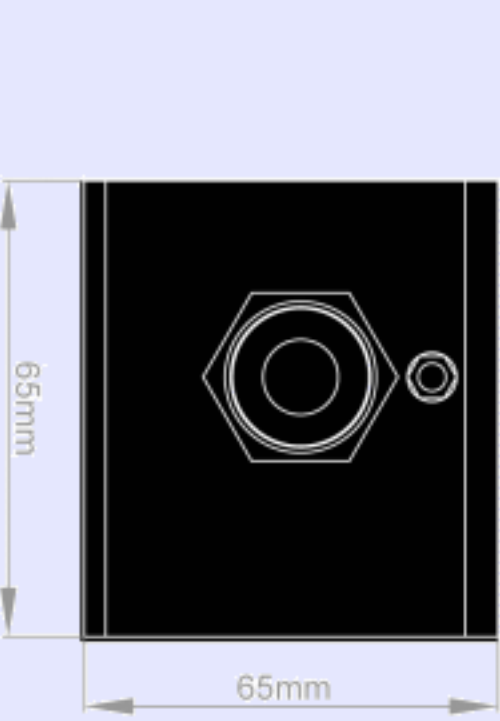


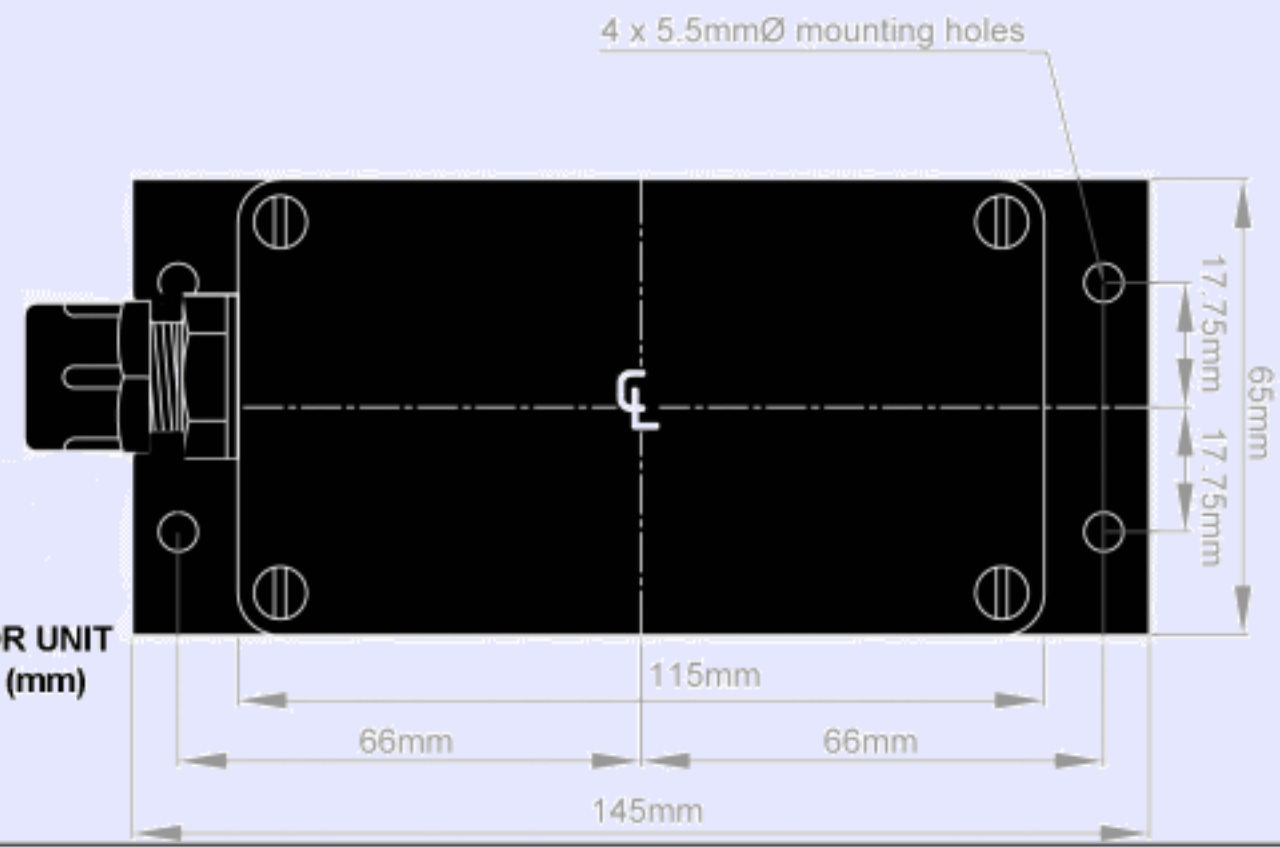
PANEL MOUNTING DEPTH FROM CASE FLANGE



DISPLAY UNIT DIMS (mm)



SENSOR UNIT DIMS (mm)



4 x 5.5mmØ mounting holes