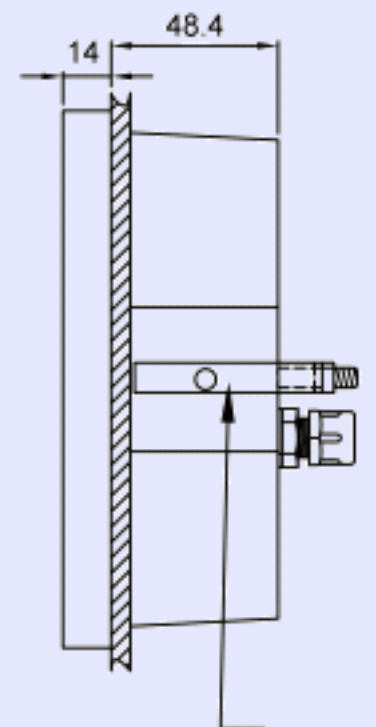
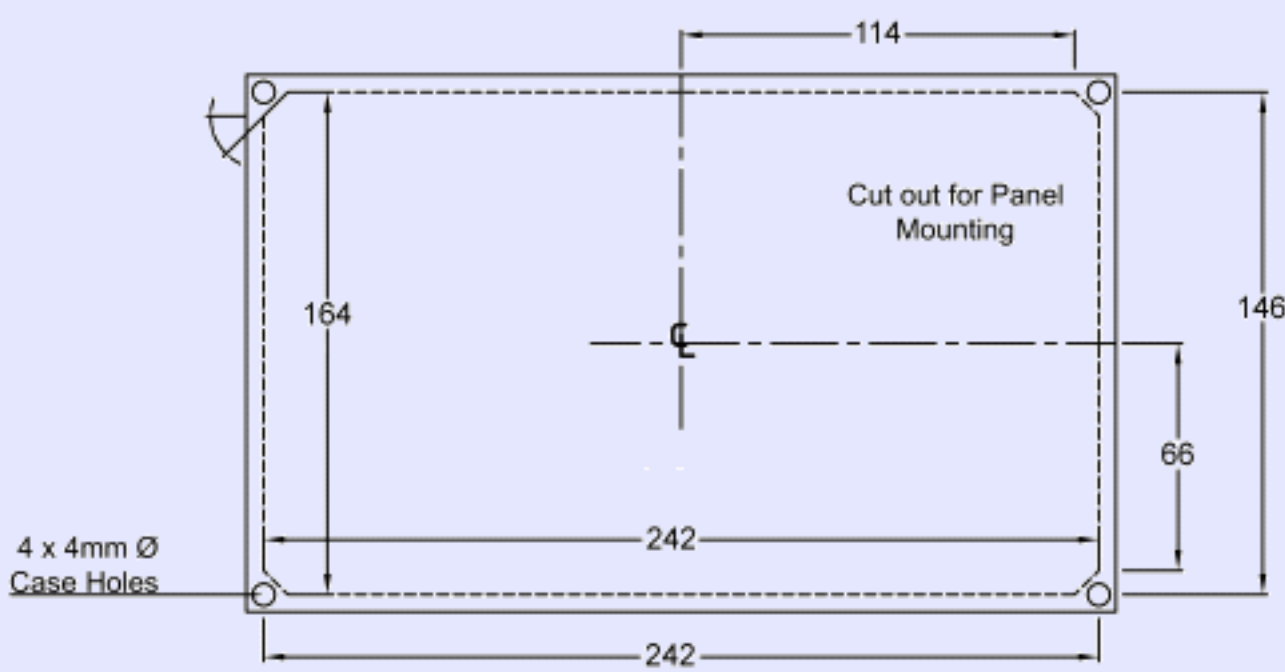


NOTE:
ALL
DIMENSIONS
IN mm

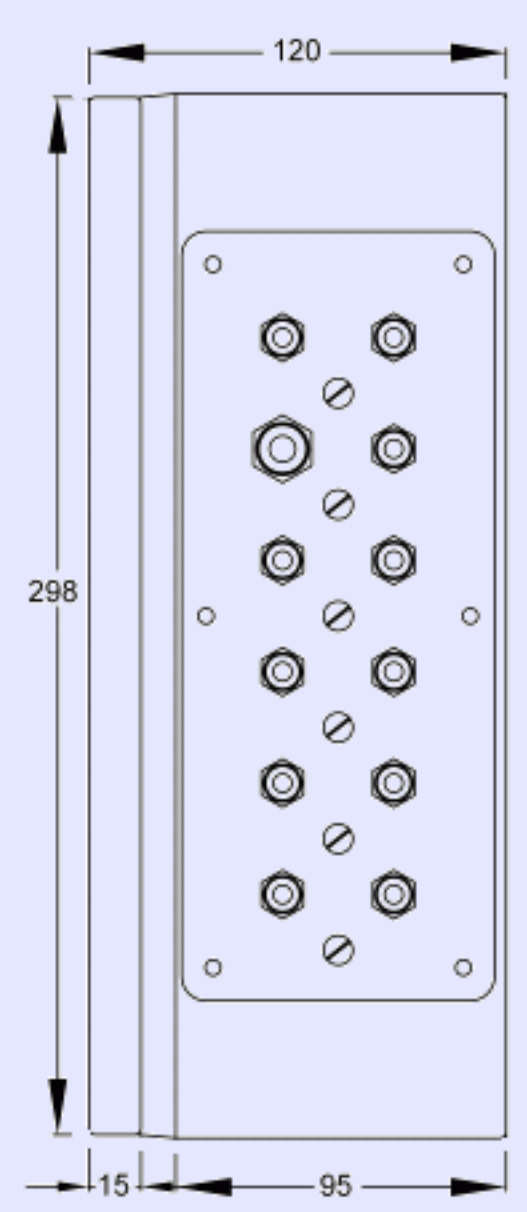
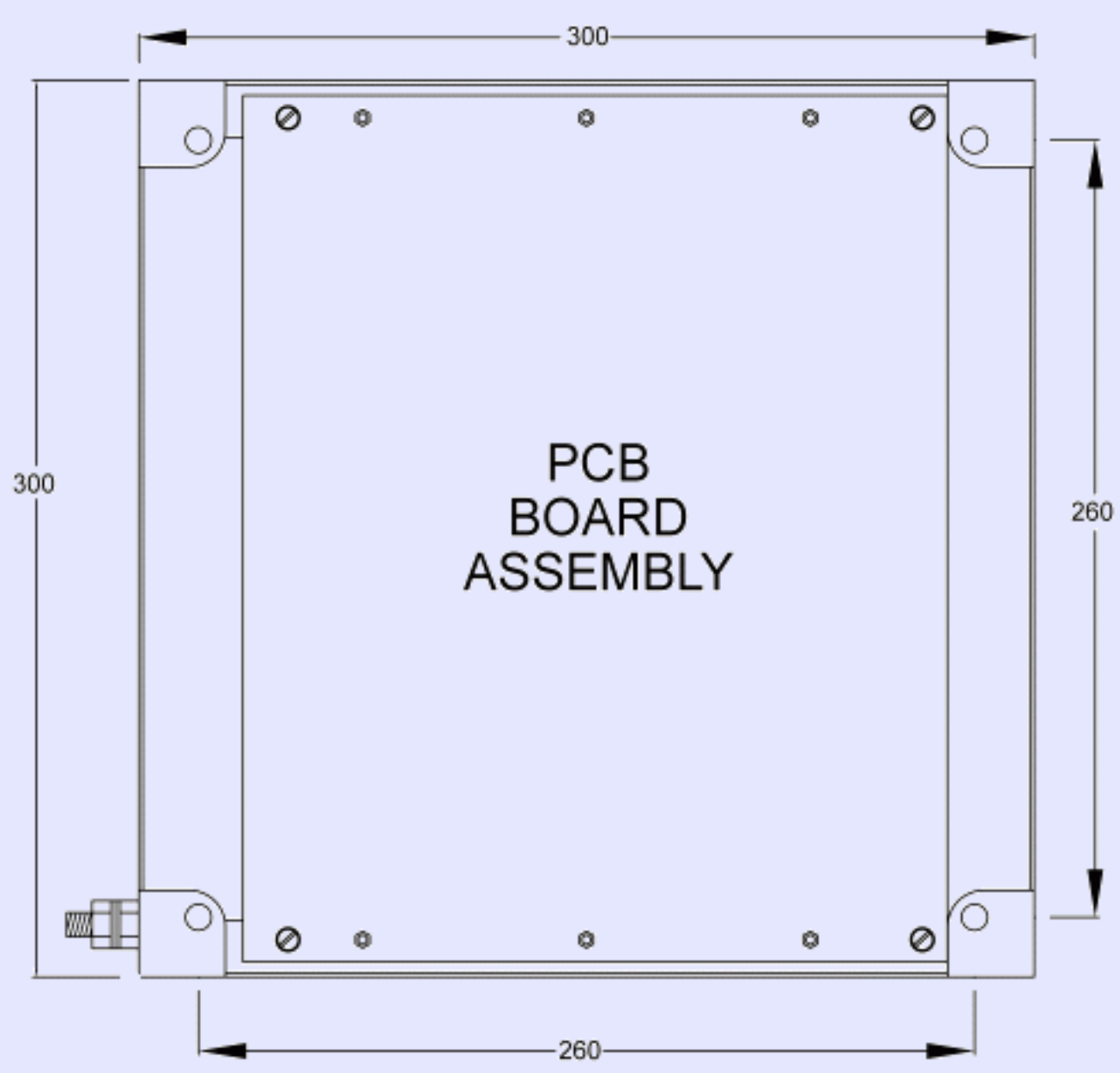
PANEL MOUNTING
DEPTH FROM CASE
FLANGE



U BRACKET SUPPLIED
FOR DIN CUT OUT
FIXING



Control Unit Dimensions



Distribution Unit Dimensions