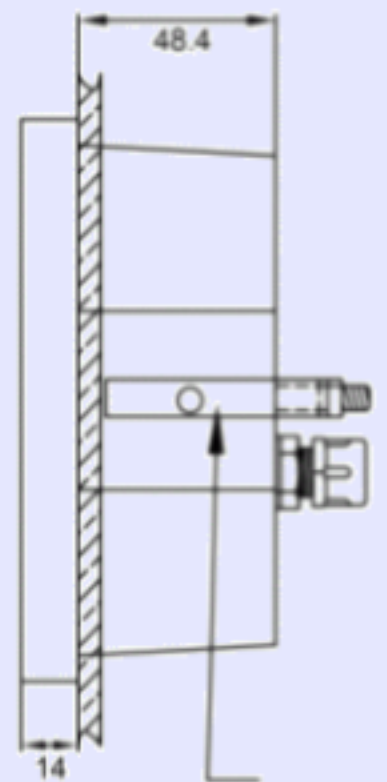


PANEL MOUNTING
DEPTH FROM CASE
FLANGE



U BRACKET SUPPLIED
FOR DIN CUT OUT
FIXING

